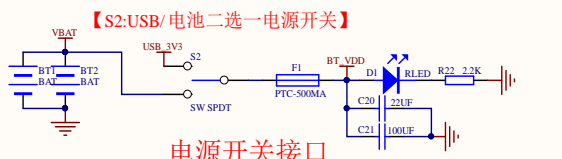
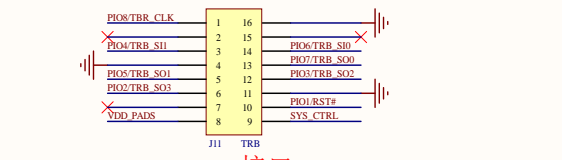


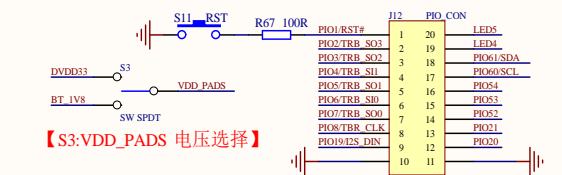
TYPE-C 接口



电源开关接口

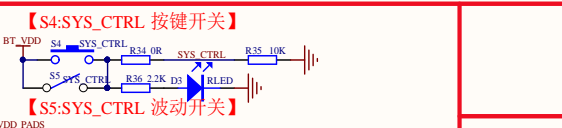


TRB 接口

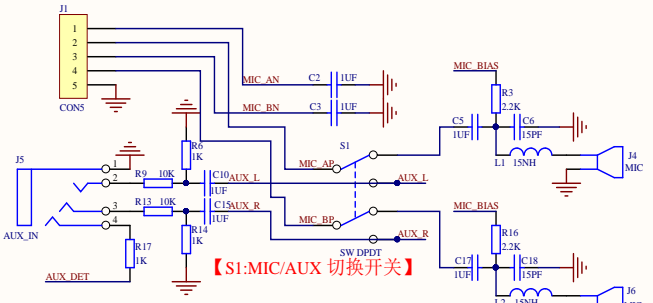


PIO 供电电压选择

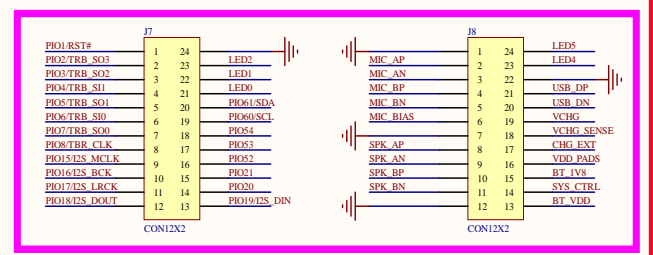
PIO 接口



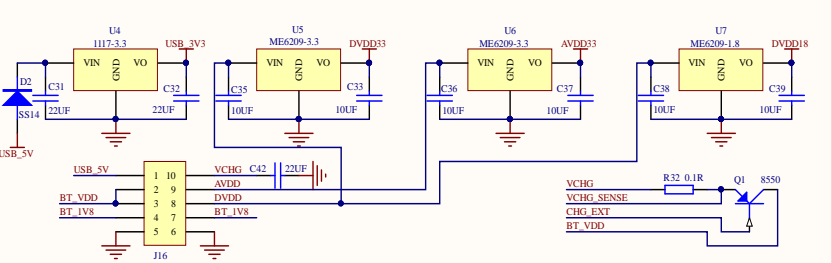
KEY 按键接口电路



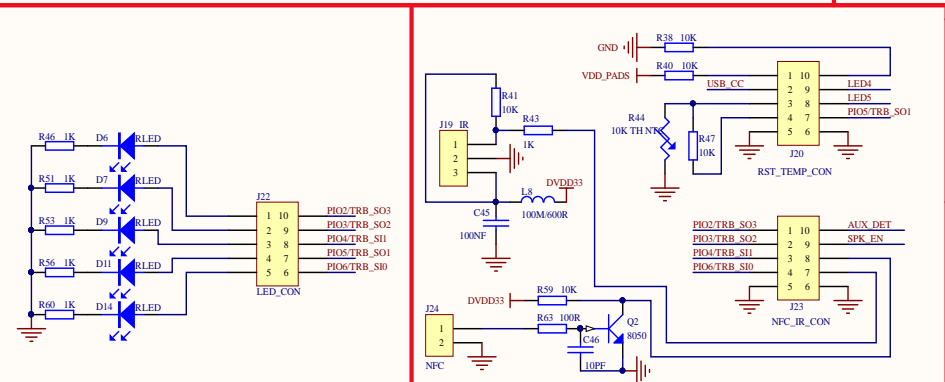
MIC 麦克风 和 AUX IN 音频输入电路



DEV 开发板核心模块板

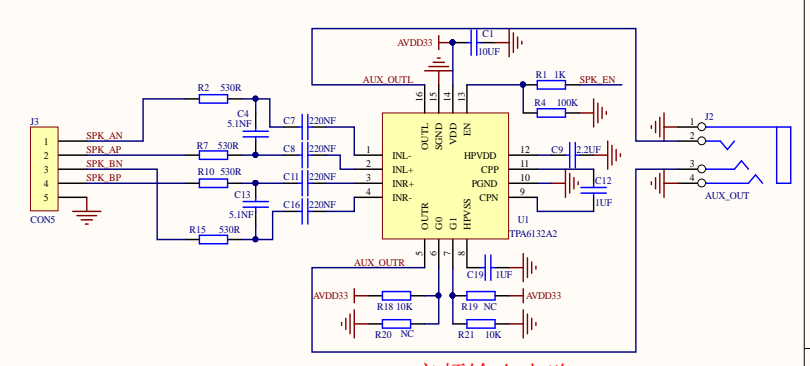


充电/供电电路

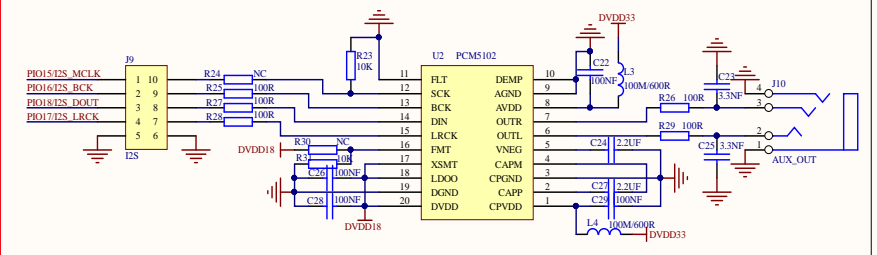


LED 接口电路

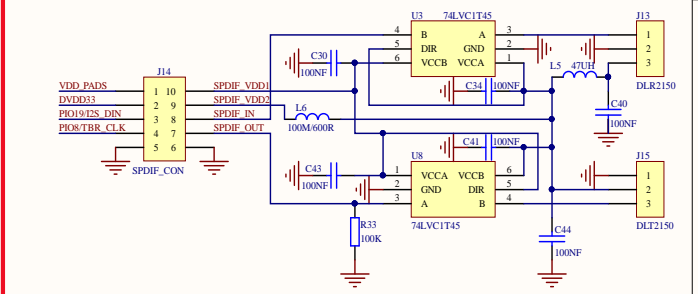
红外/温敏/NFC/复位接口



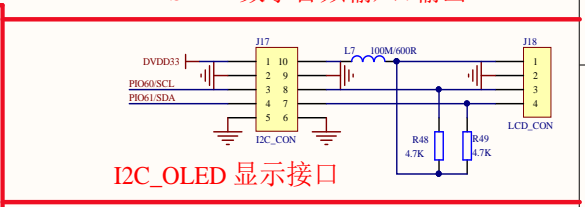
AUX OUT 音频输出电路



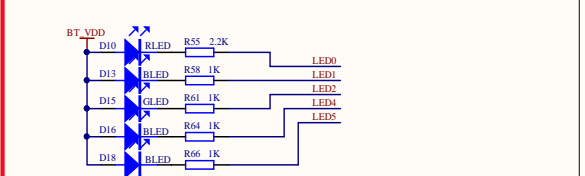
I2S 数字音频解码电路



SPDIF 数字音频输入/输出



I2C\_OLED 显示接口



BLUETOOTH LED 蓝牙状态指示

Comment	Description	Designator	Footprint	LibRef	Quantity
BAT	Battery	BT1, BT2	CON2-2.0	BATTERY	2
10UF	Capacitor	C1, C33, C35, C36, C37, C38, C39	0603R	CAP	7
1UF	Capacitor	C2, C3, C5, C10, C12, C15, C17, C19	0603R	CAP	8
5.1NF	Capacitor	C4, C13	0603R	CAP	2
15PF	Capacitor	C6, C18	0603R	CAP	2
220NF	Capacitor	C7, C8, C11, C16	0603R	CAP	4
2.2UF	Capacitor	C9, C24, C27	0603R	CAP	3
22UF	Capacitor	C14, C20, C31, C32, C42	0805R	CAP	5
100UF	Capacitor	C21	CAP-B-3528	CAP	1
100NF	Capacitor	C22, C26, C28, C29, C30, C34, C40, C41, C43, C44, C45	0603R	CAP	11
3.3NF	Capacitor	C23, C25	0603R	CAP	2
10PF	Capacitor	C46	0603R	CAP	1
RLED		D1, D3, D4, D5, D6, D7, D8, D9, D10, D11, D12, D14, D17	0603D	LED	13
SS14	Diode	D2	SMA	DIODE	1
BLED		D13, D16, D18	0603D	LED	3
GLED		D15	0603D	LED	1
PTC-500MA	Fuse	F1	0805R	FUSE1	1
CON5	Connector	J1, J3	CON5	CON5	2
AUX_OUT		J2, J10	PJ-320A	PJ2	2
MIC	Microphone	J4, J6	MIC-4.0	MICROPHONE 1	2
AUX_IN		J5	PJ-320A	PJ2	1
CON12X2	Connector	J7, J8	CON12X2-2.0	CON12X2	2
I2S	Connector	J9	CON5X2	CON5X2	1
TRB	Connector	J11	CON8X2-2.54	CON8X2	1
PIO_CON	Connector	J12	CON10X2	CON10X2	1
DLR2150	Connector	J13	DLR1150	CON3	1
SPDIF_CON	Connector	J14	CON5X2	CON5X2	1
DLT2150	Connector	J15	DLT1150	CON3	1
POWER_CON	Connector	J16	CON5X2	CON5X2	1
I2C_CON	Connector	J17	CON5X2	CON5X2	1
LCD_CON	Connector	J18	CON4	CON4	1
IR	Connector	J19	CON3	CON3	1
RST_TEMP_CON	Connector	J20	CON5X2	CON5X2	1
KEY_CON	Connector	J21	CON5X2	CON5X2	1
LED_CON	Connector	J22	CON5X2	CON5X2	1
NFC_IR_CON	Connector	J23	CON5X2	CON5X2	1
NFC	Connector	J24	CON2-2.0	CON2	1
15NH		L1, L2	0603R	INDUCTOR	2
100M/600R		L3, L4, L6, L7, L8	0805R	INDUCTOR	5
47UH		L5	0805R	INDUCTOR	1
8550	PNP Transistor	Q1	SOT23	PNP	1
8050	NPN Transistor	Q2	SOT23	NPN	1
1K		R1, R6, R14, R17, R39, R43, R45, R46, R51, R52, R53, R56, R57, R58, R60, R61, R64, R65, R66	0603R	RES2	19
530R	Resistor	R2, R7, R10, R15	0603R	RES2	4
2.2K		R3, R16, R22, R36, R55	0603R	RES2	5
100K		R4, R5, R11, R33	0603R	RES2	4
5.1K		R8, R12	0603R	RES2	2
10K	[NoValue ], [NoValue ], [NoValue ], [NoValue ], [NoValue ], [NoValue ], Resistor, Resistor, [NoValue ], [NoValue ]	R9, R13, R18, R21, R23, R31, R35, R38, R40, R41, R47, R59	0603R	RES2	12
NC		R19, R20, R24, R30	0603R	RES2	4
100R	[NoValue ], [NoValue ], [NoValue ], [NoValue ], [NoValue ], [NoValue ], [NoValue ], Resistor	R25, R27, R28, R37, R42, R50, R54, R62, R63, R67	0603R	RES2	10
100R		R26, R29	0805R	RES2	2
0.1R		R32	0805R	RES2	1
0R		R34	0603R	RES2	1
10K TH NTC		R44	0603R	RES3	1
4.7K		R48, R49	0603R	RES2	2
SW DPDT		S1		SW DPDT	1
SW SPDT		S2, S3		SW SPDT	2
SYS_CTRL		S4	KEY-6-DIP	SW -PB	1
SYS_CTRL		S5	SW 1	SW SPST	1
PLAY		S6	KEY-6-DIP	SW -PB	1
V-		S7	KEY-6-DIP	SW -PB	1
V+		S8	KEY-6-DIP	SW -PB	1
PREV		S9	KEY-6-DIP	SW -PB	1
NEXT		S10	KEY-6-DIP	SW -PB	1
RST	Switch	S11	KEY-6-DIP	SW -PB	1
TPA6132A2		U1	TPA6132-CFN16	TPA6132A2	1
PCM5102		U2	TSSOP20	PCM5102	1
74LVC1T45		U3, U8	SOT23-6	74LVC1T45	2
1117-3.3		U4	SOT223	ME6209	1
ME6209-3.3		U5, U6	SOT23	ME6209	2
ME6209-1.8		U7	SOT23	ME6209	1
TYPE-C		USB1	TYPE-C-1	TYPE-C	1